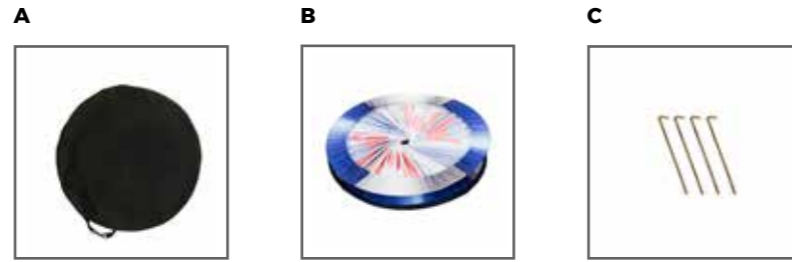


Parts

- A. 1 x Carry Bag
- B. 1 x Event Bin
- C. 4 x Ground Pegs



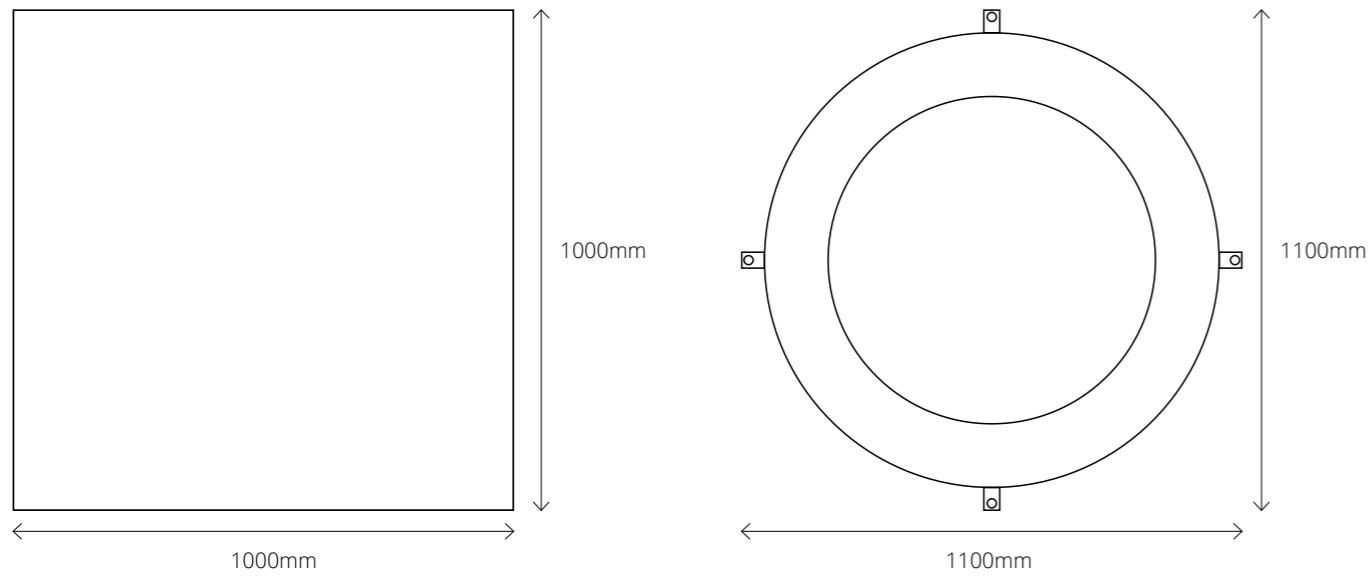
Assembly


Place feet on the bottom edge of the event bin and carefully twist the upper edge anti-clockwise. The event bin will spring into shape and be ready for use. For use on soft ground. Use a mallet to drive the ground pegs through the eyelet tabs into the ground to secure the event bin. To pack away simply reverse the above procedure.

1




Technical Data - Event Bin



 **Time Required**
< 15 mins

 **People Required**
1 person

 **Tools Required**
None

HARRISON
FLAGPOLES | EDS | CREATIVE