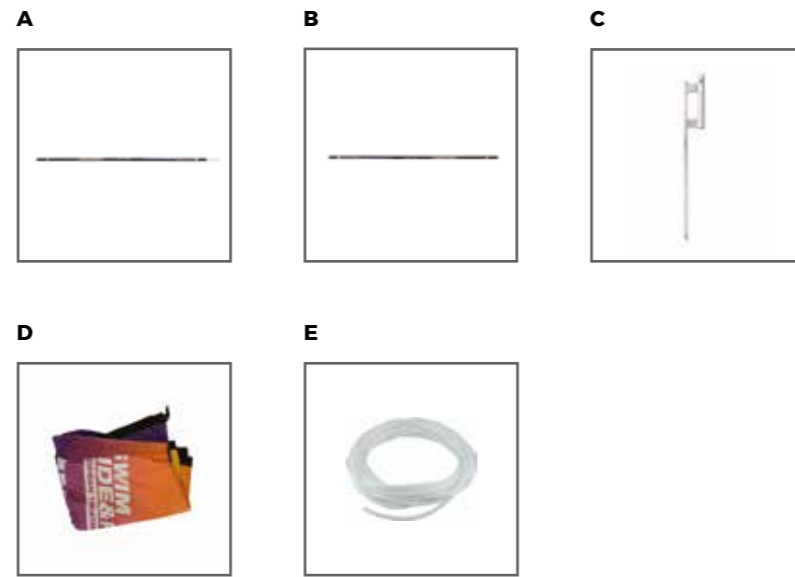
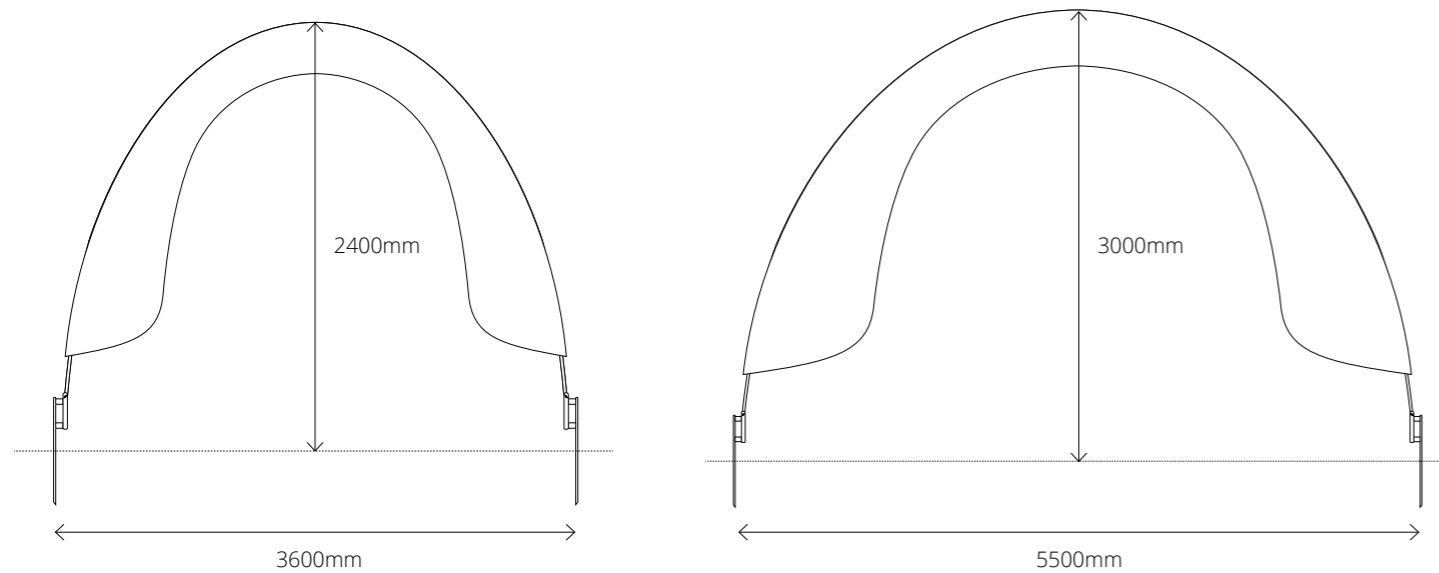


## Parts

- A.** 8 x Male Poles
- B.** 1 x Female Pole
- C.** 2 x Ground Spikes
- D.** 1 x Arch Print
- E.** 1 x Rope Measure



## Technical Data - Event Arch



## Assembly

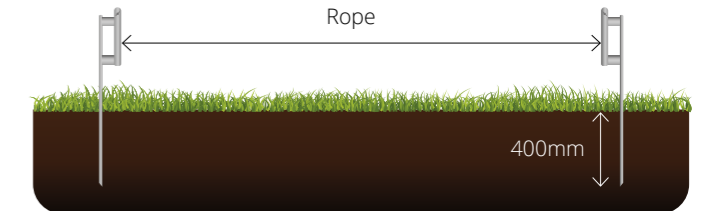
Beginning with the one female pole, assemble the remaining male poles accordingly. Slide the assembled pole through the sleeve on the arch print.

**1**



Hammer one of the ground spikes into the ground, use the measuring rope and hammer the second ground spike at the correct distance. Ensure that 0.4m of the spike is into the ground.

**2**



Ensure both of the wing nuts on each ground spike are loose. Two people are required to arch each end of the pole into each ground spike. (A degree of force may be required.)

**3**



Pull the chord attached to the bottom of each side of the arch over the wing nut.

**4**

