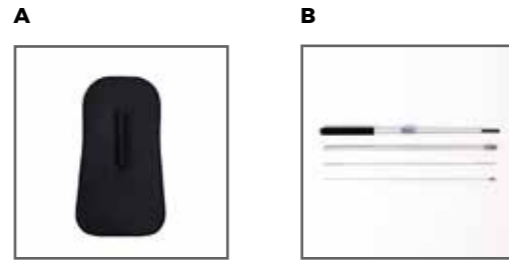
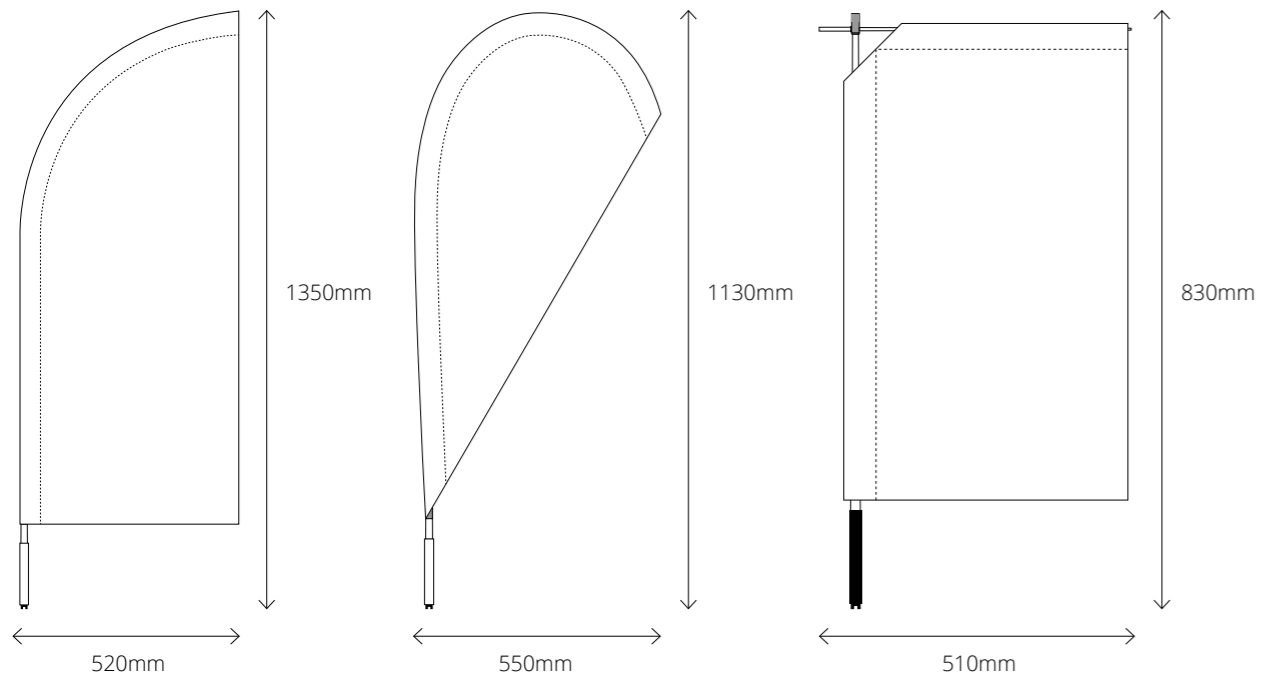


Parts

- A.** 1 x Back Pack Kit
- B.** 4 x Pole Sections



Technical Data - Back Pack



Time Required
< 15 mins

People Required
1 person

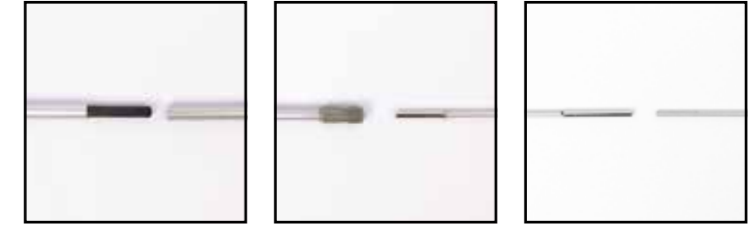
Tools Required
None

HARRISON
FLAGPOLES | EDS | CREATIVE

Assembly

To assemble the Teardrop or Blade flag, slide each pole into each other, begin with pole A and work down to pole D.

1



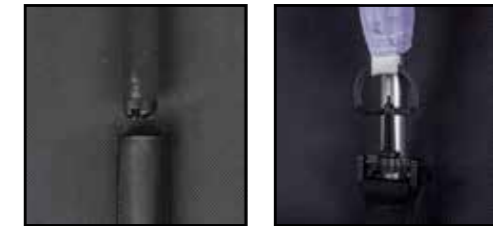
Slot the assembled pole through the sleeve of the flag. Ensure the end of pole is located within the reinforced end of the sleeve. Secure the sleeve with the velcro.

2



Place the flag into the pole holder on the back pack kit. If using the Deluxe kit, secure the flag with the d-clip at the bottom.

3



To assemble the Rectangular flag, assemble pole A and B together. Pole D is not required for this set up. Loosen the cap on the end of the pole.

1



Unscrew the cap at the top section of the pole. Feed the assembled pole sections through the base of the sleeve on the long side of the flag until the pole is visible.

2



Thread pole C through the top sleeve, the thin end should slot through the top section of pole B. Hand tighten to the cap to secure.

3

